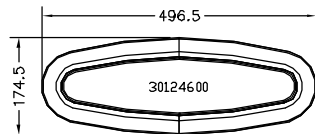
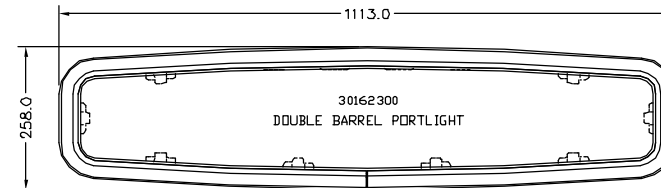
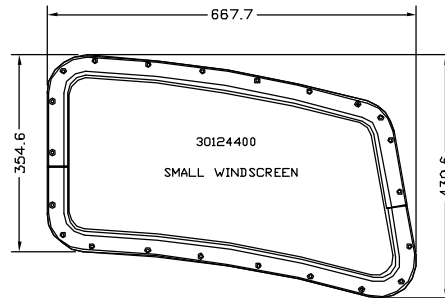
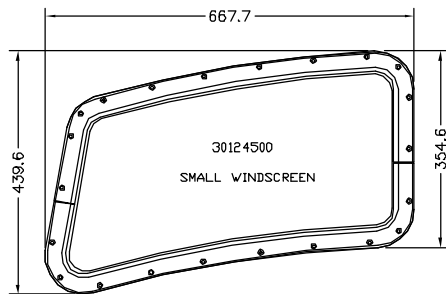
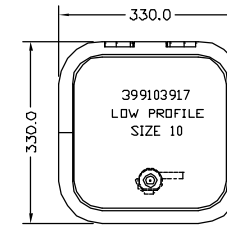
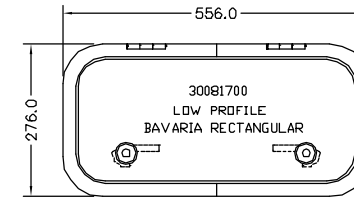
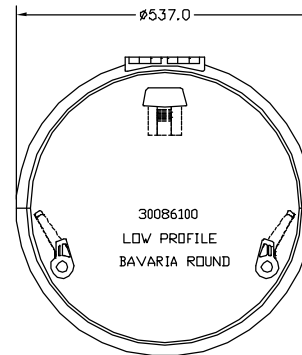
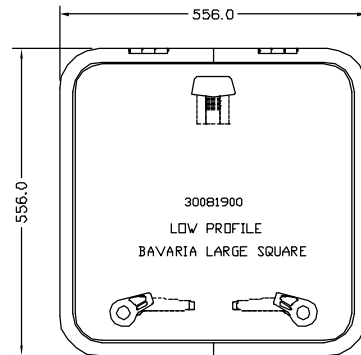
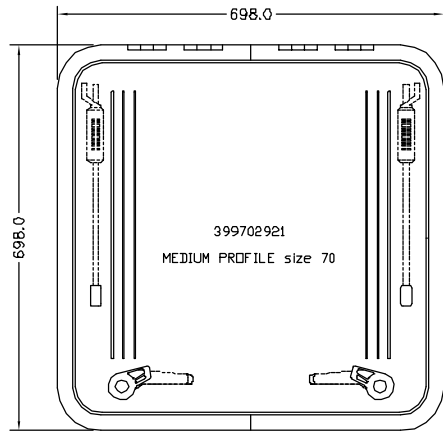
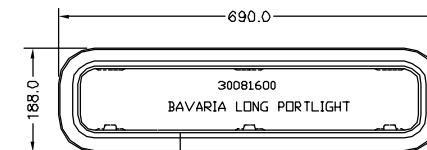
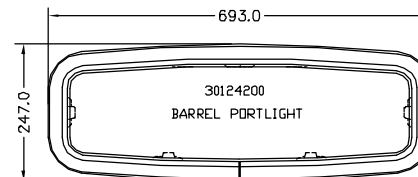
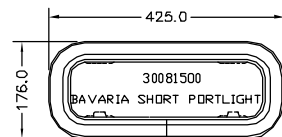


BAVARIA SAILBOAT PRODUCTS IDENTIFICATION – CRUISE + MATCH (NOT VISION)



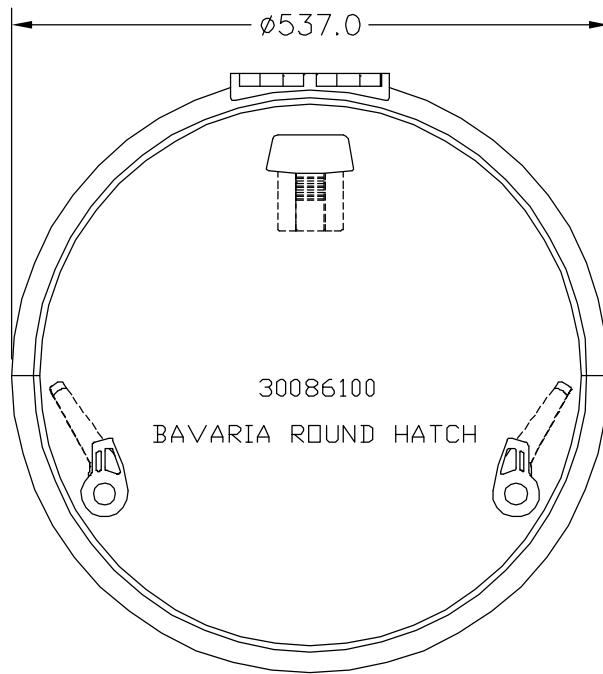
BAVARIA ELLIPTICAL FIXEDLIGHT



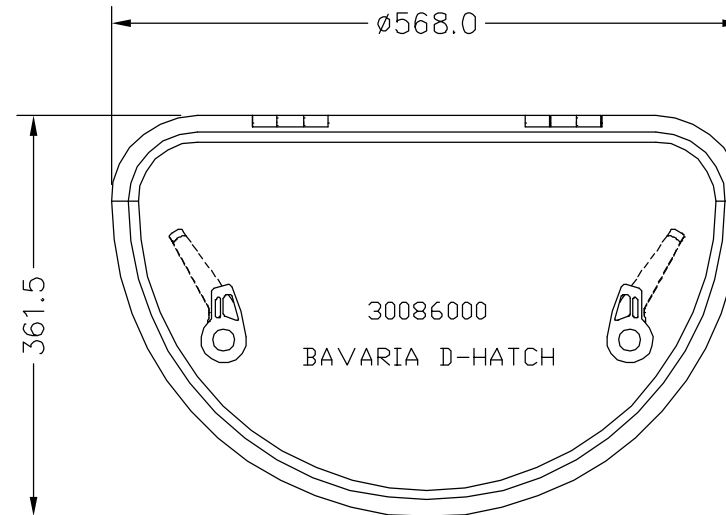
SAVED AS N:\DRAWINGS\ENQUIRY\0305 ISS.1 NOT TO SCALE DATE: 22-MAY-07 BY: AWW

LEWMAR®

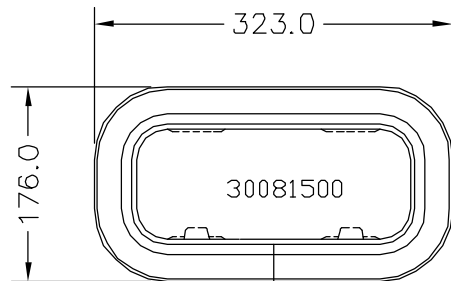
BAVARIA MOTORBOAT PRODUCTS IDENTIFICATION



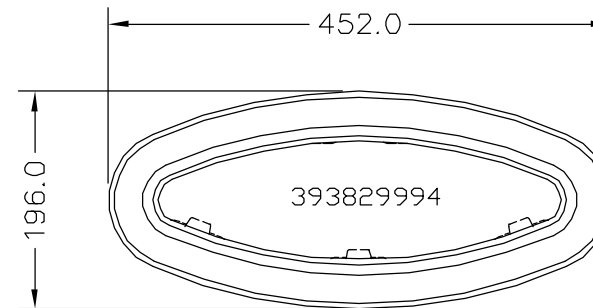
30086100
BAVARIA ROUND HATCH



30086000
BAVARIA D-HATCH



BAVARIA SHORT PORTLIGHT

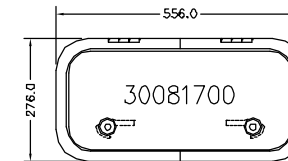
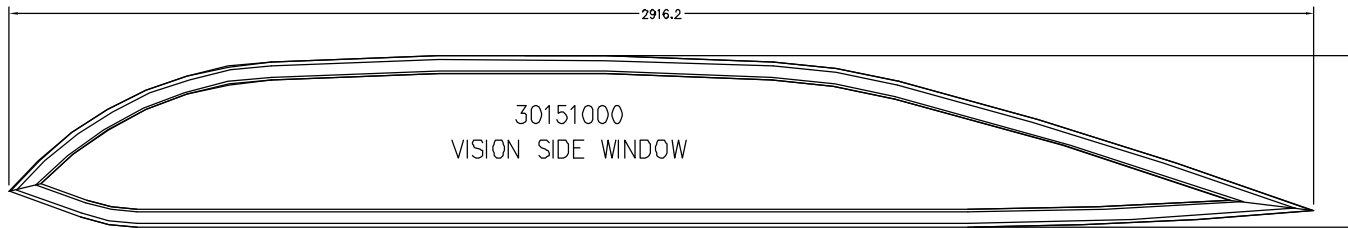
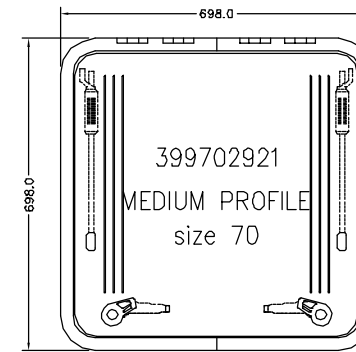
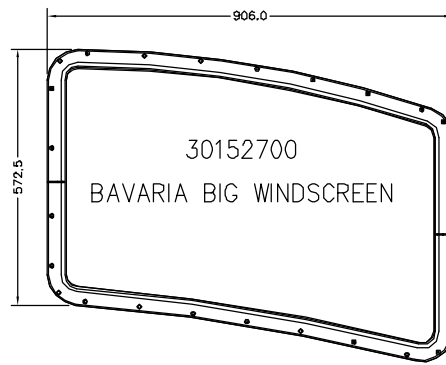
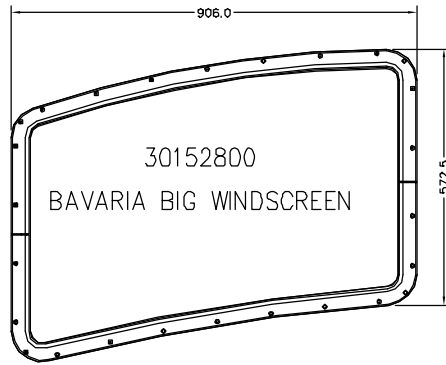


STAINLESS PORTLIGHT size 8

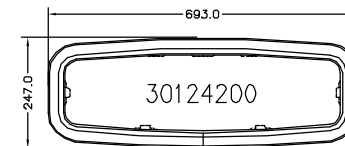
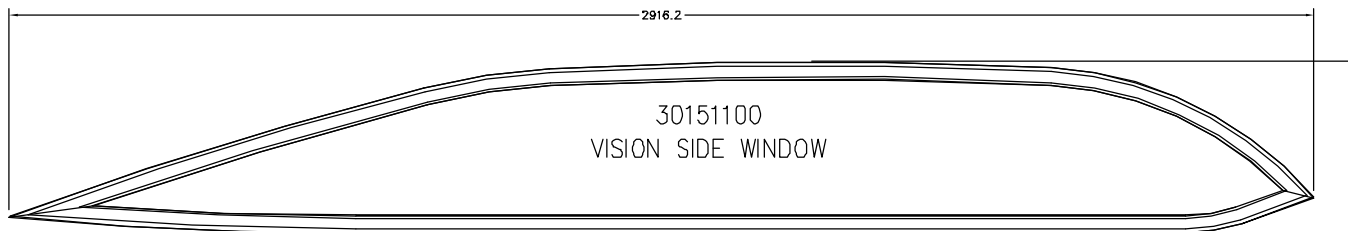
SAVED AS N:\DRAWINGS\ENQUIRY\0306 ISS.1 NOT TO SCALE DATE: 22-MAY-07 BY: AWW

LEWMAR®

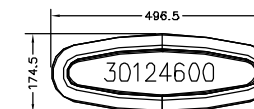
BAVARIA SAILBOAT PRODUCTS IDENTIFICATION – VISION



LOW PROFILE BAVARIA RECTANGULAR



BARREL PORTLIGHT



BAVARIA ELLIPTICAL FIXEDLIGHT

SAVED AS N:\DRAWINGS\ENQUIRY\0307 ISS.1 NOT TO SCALE DATE: 22-MAY-07 BY: AWW

LEWMAR®